

collection

list

tuple

set

dict

0	1
1	2
2	1
3	5
4	6

```

var
guy_grade= 100
elia_grade = 100
rotem_grade = 99

list
grades=[100,100,99]

```

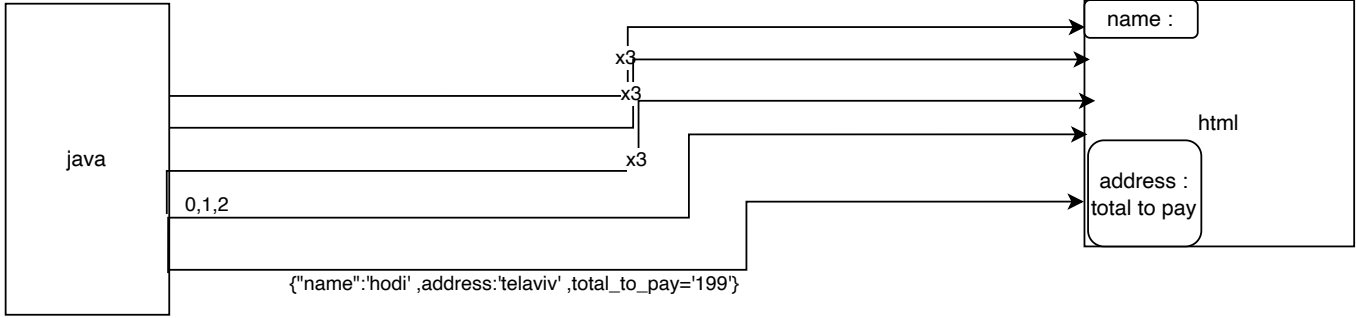
```

dict
grades_dict = { "guy1":100 , 'elia':100, 'rotem':99}

```

item item

item



dict

{ item , item , item }

key : value

boolean
str
numeric

boolean
str
numeric
collection

unique

duplicated?